

Theory on wiring large systems

High power parallel systems



Practical maximum: 4 units per phase

$$4 \times 3 \times 15 \text{ kVA} = 180 \text{ kVA}$$

$$180 \text{ kVA} / 48 \text{ V} = 3.750 \text{ A}$$

What can go wrong?

135 kVA



- 9x Quattro 15kVA: 135kVA three phase
- 20x MPPT 250/100-Tr
- 29x BYD B-BOX 12,8kWh: 370kWh
- Max discharge current: $135 \times 0,8 / (0,9 \times 48) = 2.500A$
- Max discharge current per BYD B-BOX: 86A
- Autonomy: $370 / (135 \times 0,8 / 0,9) = 370 / 120 = 3h$

DC, inverting

When Victron Quattros, Multis or inverters operate in parallel, one unit has to be set as master, and the others are slaves (VE.Configure).

The master sets the PWM pulse width for the slaves.

This means that all units will have the same DC to AC transfer function

$$V_{out} = \alpha(V_{in} - R_{in} \cdot I_{in}) \quad \text{with} \quad \alpha = I_{in} / I_{out}$$

α is determined by the PWM modulation and the winding ratio of the transformer.
 α therefore is identical for all paralleled units.

The internal resistance referenced to the input R_{in} is also identical for all paralleled units.

$$V_{out} = \alpha(V_{in} - R_{in} * I_{in})$$

When the outputs are wired in parallel, V_{out} is the same for all units.
What happens when V_{in} is different from one unit to another?

The only variable left is the unput current I_{in} .

Therefore, if V_{in} is different from one unit to another, I_{in} must also be different.
For a quantitave approach we need to now R_{in} .

R_{in} can be derived from the efficiency (η)

$$P_{out} = P_{in} - R_{in} * I_{in}^2$$

R_{in} can be derived from the efficiency (η):

$$P_{out} = P_{in} - \text{losses} = \eta * P_{in} = P_{in} - (1-\eta) * P_{in} = P_{in} - R_{in} * I_{in}^2$$

And therefore:

$$R_{in} = (1-\eta) * P_{in} / I_{in}^2 = (1-\eta) * V_{in} / I_{in}$$

The full load efficiency of a Quattro 15kVA is 96%, therefore $P_{out} = 0,96 * P_{in}$
If $P_{out} = 15 * 0,8 = 12\text{kW}$, the input power is $12 / 0,96 = 12,5\text{kW}$. Losses = 500W .

And: $R_{in} = (1-0,96) * 50 / (12,5 / 50) = 8\text{m}\Omega$

$$P_{out} = P_{in} - R_{in} * I_{in}^2$$

Now we can derive a formula for the output power unbalance of two paralleled units connected to the battery with different cable resistance (= different cable length).

$$V_{out} = \alpha(V_{in1} - R_{in} * I_{in1}) = \alpha(V_{in2} - R_{in} * I_{in2})$$

Including cable resistance R_1 and R_2 :

$$V_{in2} + R_2 * I_{in2} = V_{in1} + R_1 * I_{in1}$$

And therefore:

$$I_{in2} / I_{in1} = (R_1 + R_{in}) / (R_2 + R_{in})$$

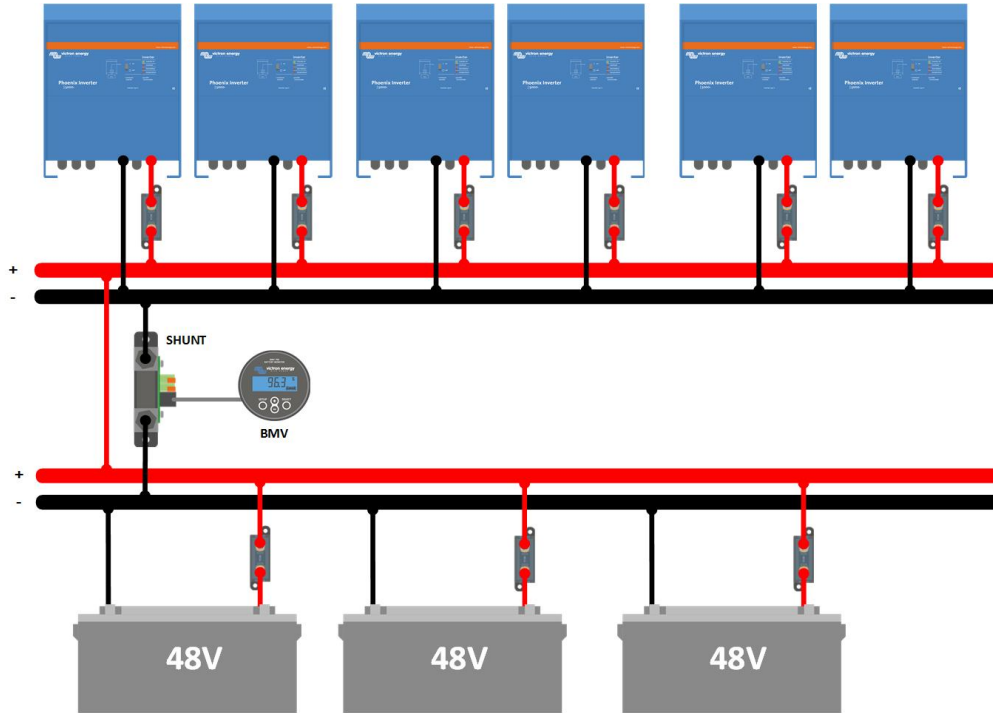
$$I_{in2} / I_{in1} = (R_1 + R_{in}) / (R_2 + R_{in})$$

$$R_{in} = 8\text{m}\Omega$$

This means that if two units are paralleled and the cable resistance is $\ll 8\text{m}\Omega$, a difference of $0,16\text{m}\Omega$ will result in a power unbalance of 2%.

And the resistance of 95 mm^2 copper cable is $0,18\text{m}\Omega$ per meter.....

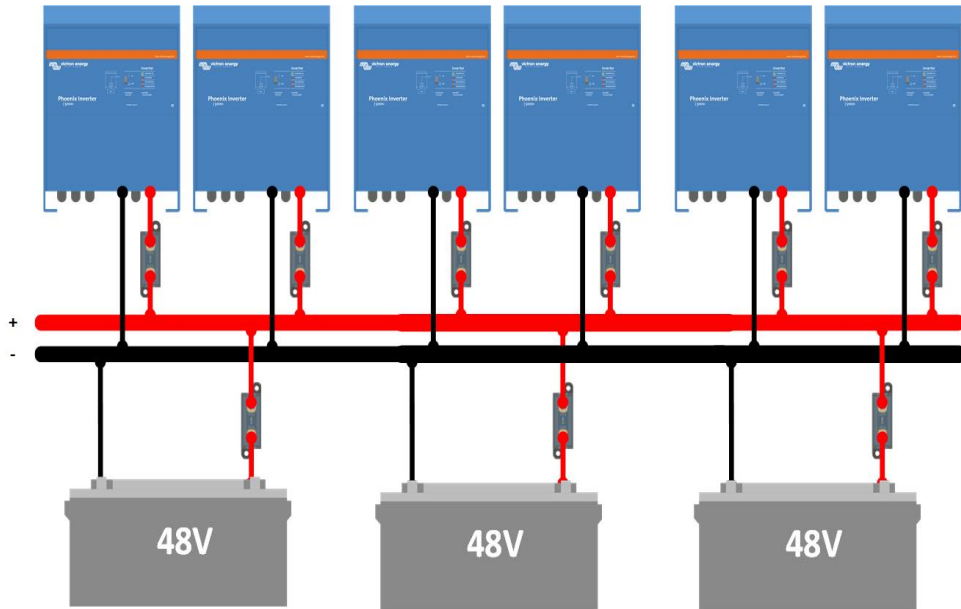
DC



Not recommended!

- Long path from battery to Quattro.
- When inverting, the leftward Quattros will “see” a lower DC input voltage.
- When charging, The leftward batteries will “see” a lower DC input voltage.

DC



Recommended

Output resistance

The internal resistance can also be referred to the output:

The output to input resistance ratio is:

$$R_{out} = ((1-\eta) / \eta) * V_{out} / I_{out}$$

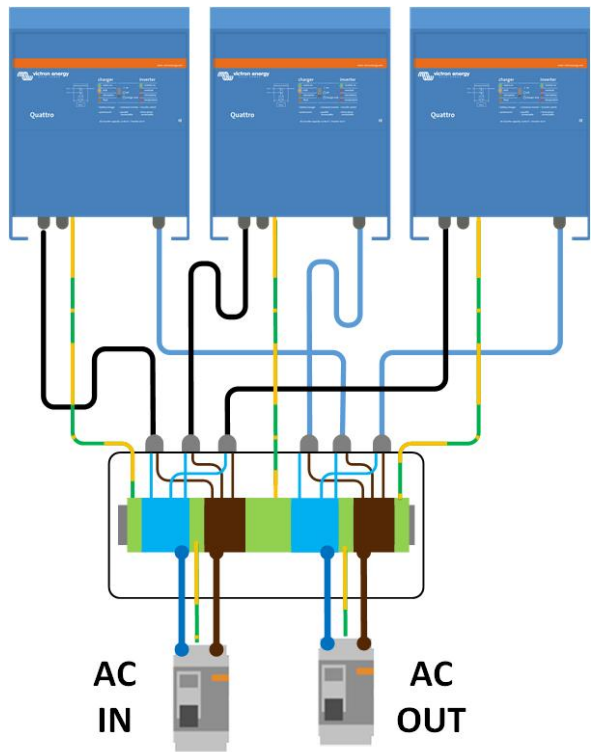
Which for a 15kVA Quattro results in:

$$R_{out} = 180m\Omega$$

This means that if two units are paralleled, a difference of 3,6mΩ will result in a power unbalance of 2%.

And the resistance of 10 mm² copper cable is 1,6mΩ per meter.

Output resistance



Recommendation:

Use AC cables of similar length.

But do not try to solve the problem by increasing the cross section of the AC cabling!

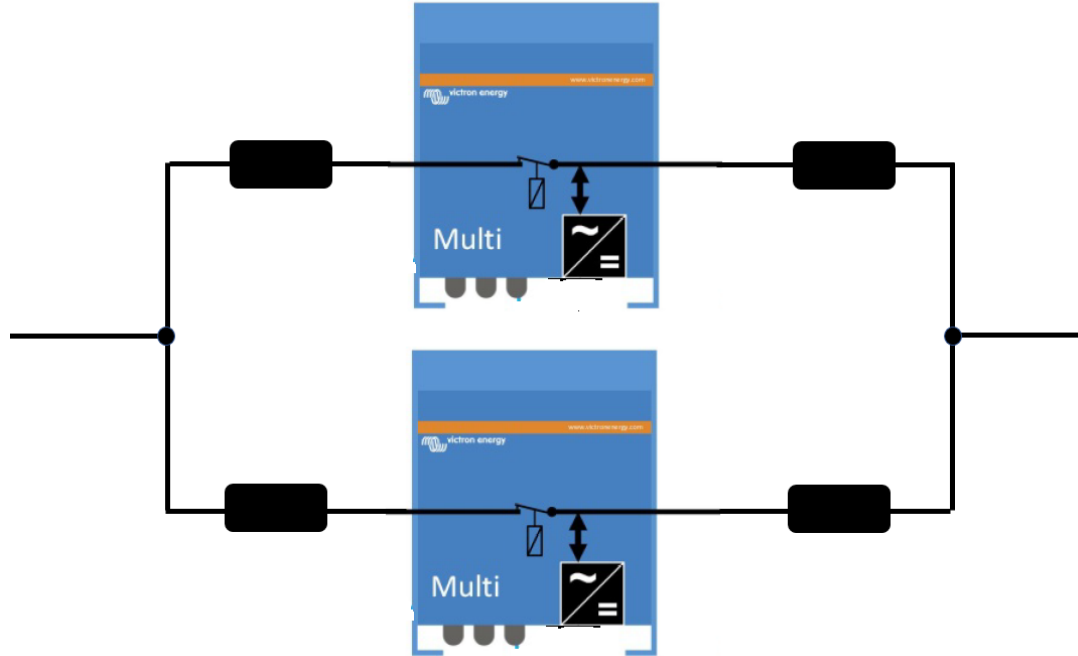
Backfeed contactors in parallel

But do not try to solve the problem by increasing the cross section of the AC cabling!

Small differences in the internal resistance of in particular the backfeed contactors may result in AC current being diverted from one unit to another.

The voltage drop tolerance of a 100A backfeed contactor is about 20mV at 100A. The total cable resistance (input + output) should therefore be larger than $R = 60\text{mV}/100\text{A} = 6\text{m}\Omega$.

Backfeed contactors in parallel



Bypass switch and input voltmeters



Low AC input cut-off

The default low voltage cut-off is 180 VAC.

When a genset runs down, the voltage and frequency will gradually decrease.

To prevent overloading the backfeed contactors we recommend to increase the the low voltage cut-off to 200 VAC.

OPzS & OPzV batteries



OPzS and OPzV batteries have a high internal resistance.

Therefore do not use these batteries for short back-up time applications.

Available capacity of a 1000Ah (C₁₀) battery when discharging to 40,8V:

10h: 1000Ah

5h: 875Ah

2h: 680Ah

1h: 535Ah

0,5h: 356Ah